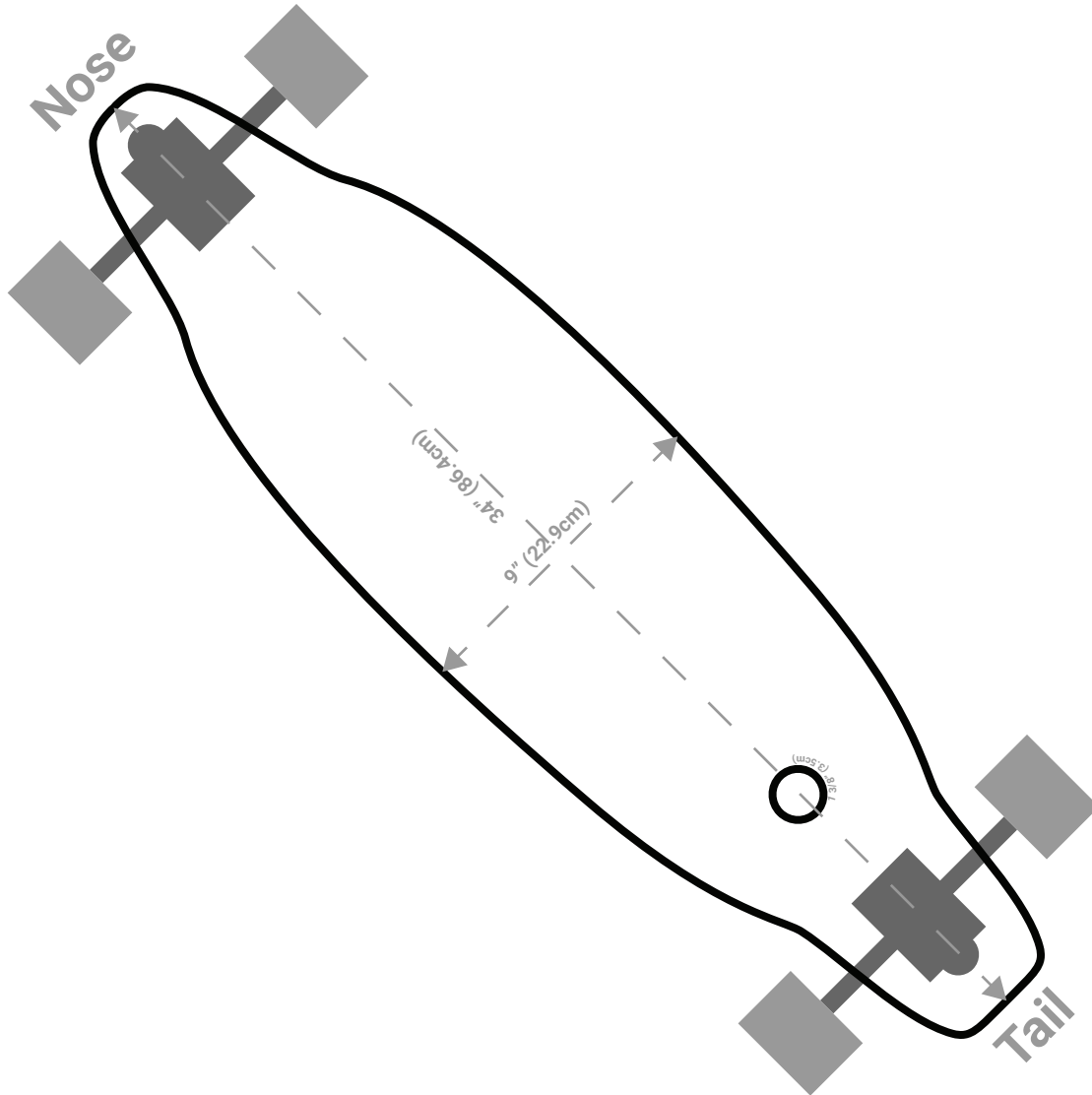
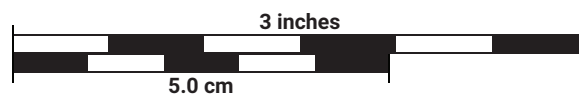
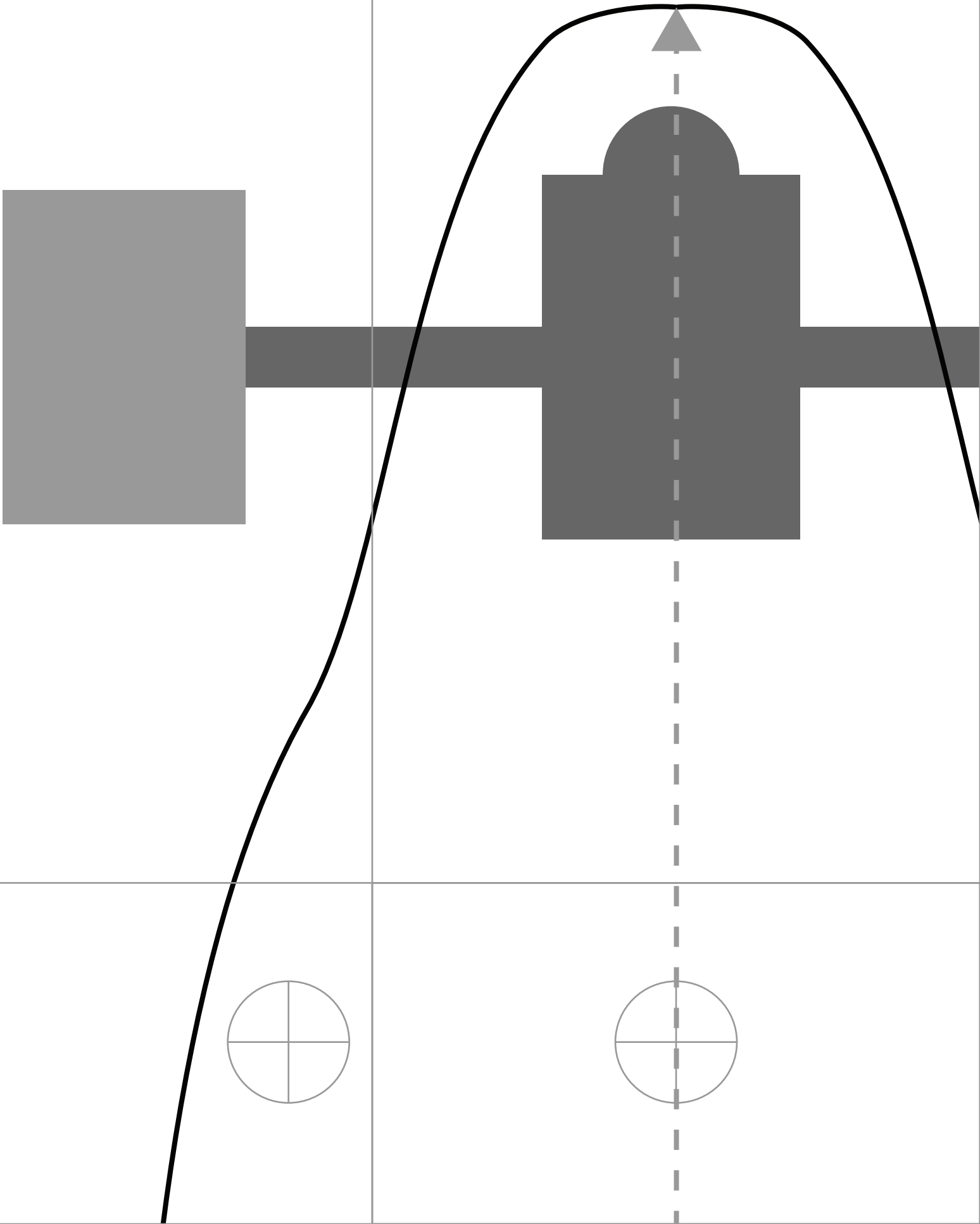


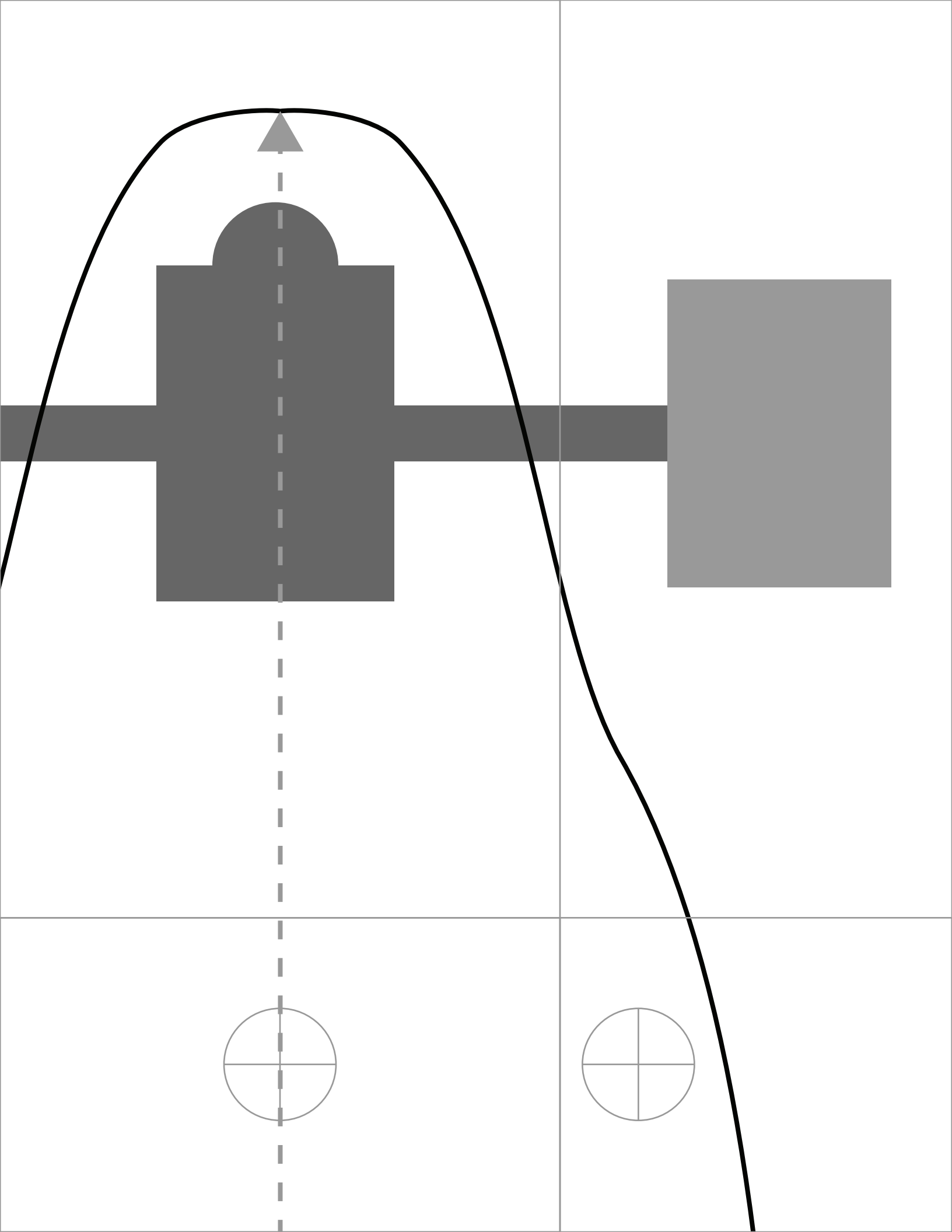
Longboard

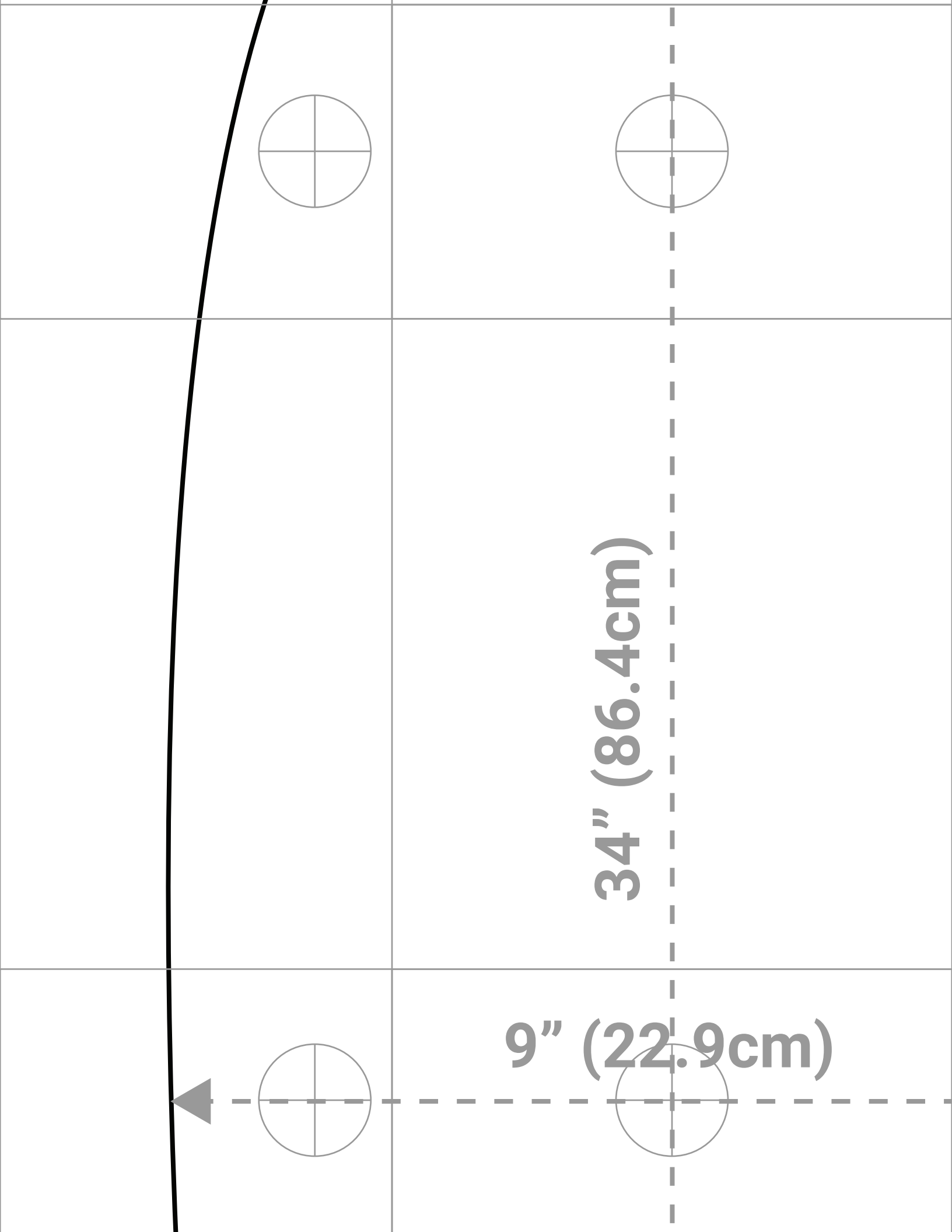


Print at 100% (do NOT check "Fit to Page").
Measure scale bars to verify correct scaling.
Adjust scaling as needed.



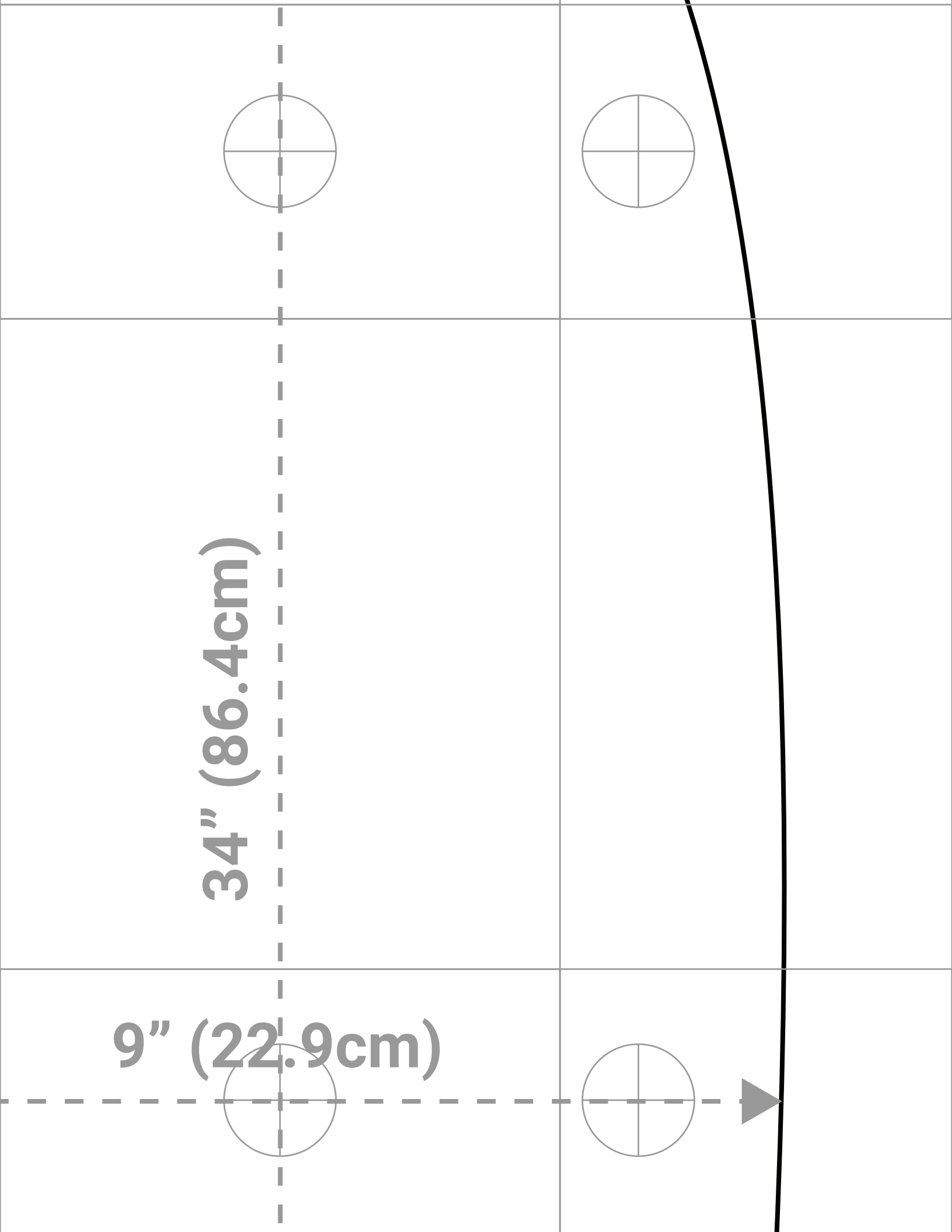






34" (86.4cm)

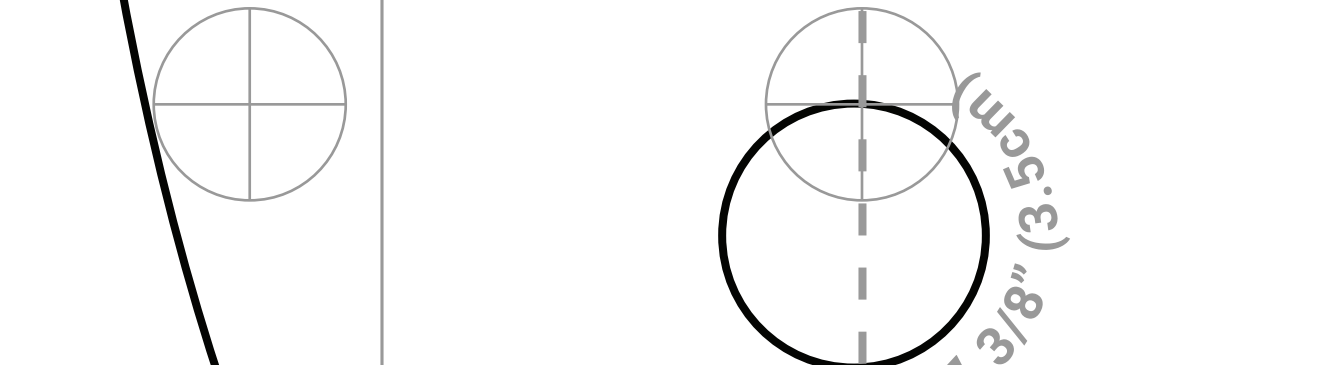
9" (22.9cm)



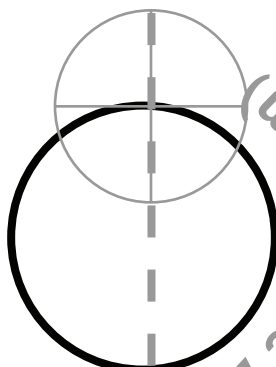
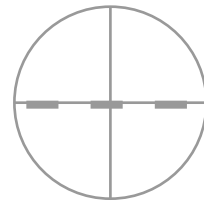
34" (86.4cm)

9" (22.9cm)

9" (22.9cm)



9" (22.9cm)



3/8" (3.5cm)

