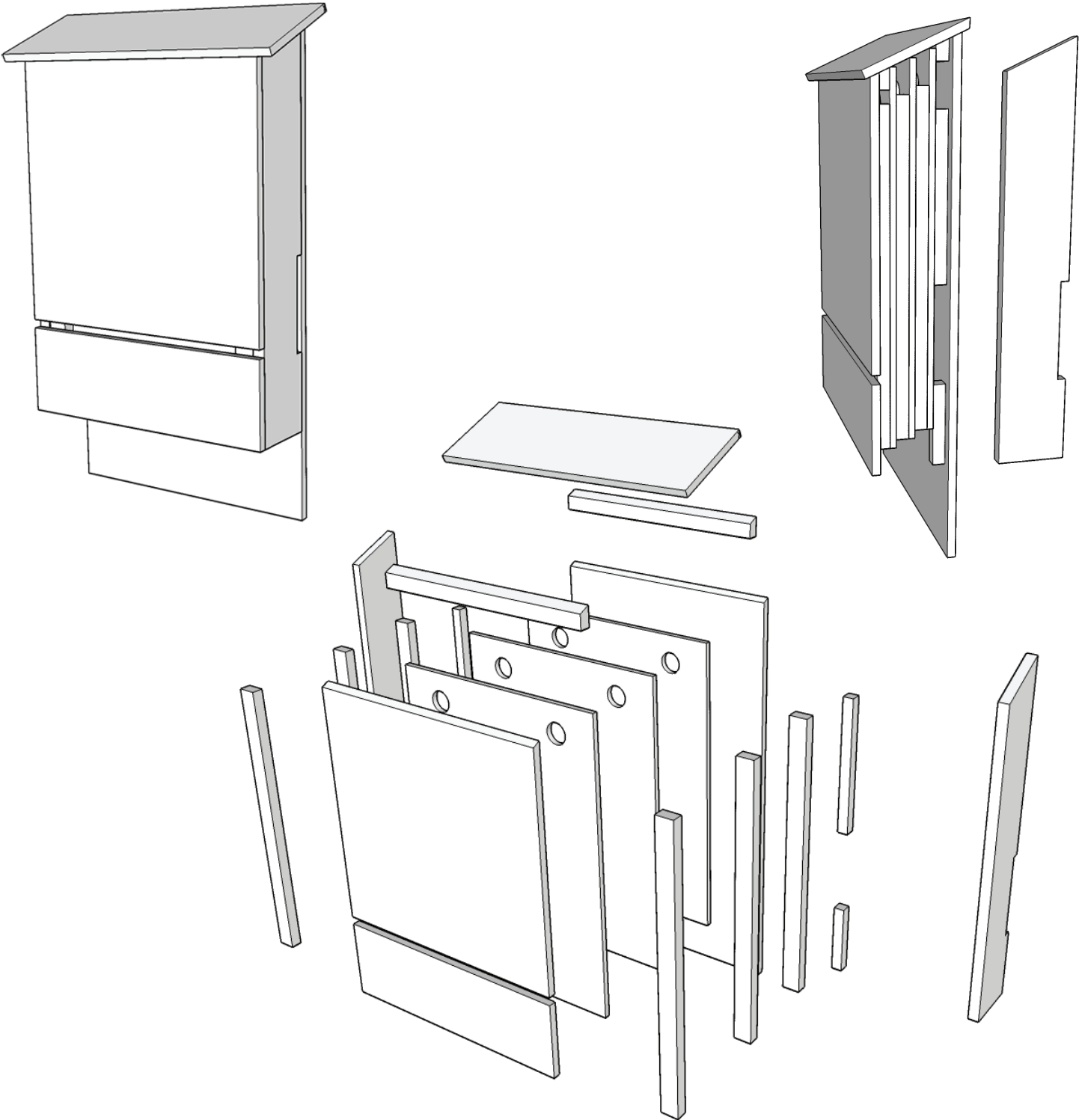
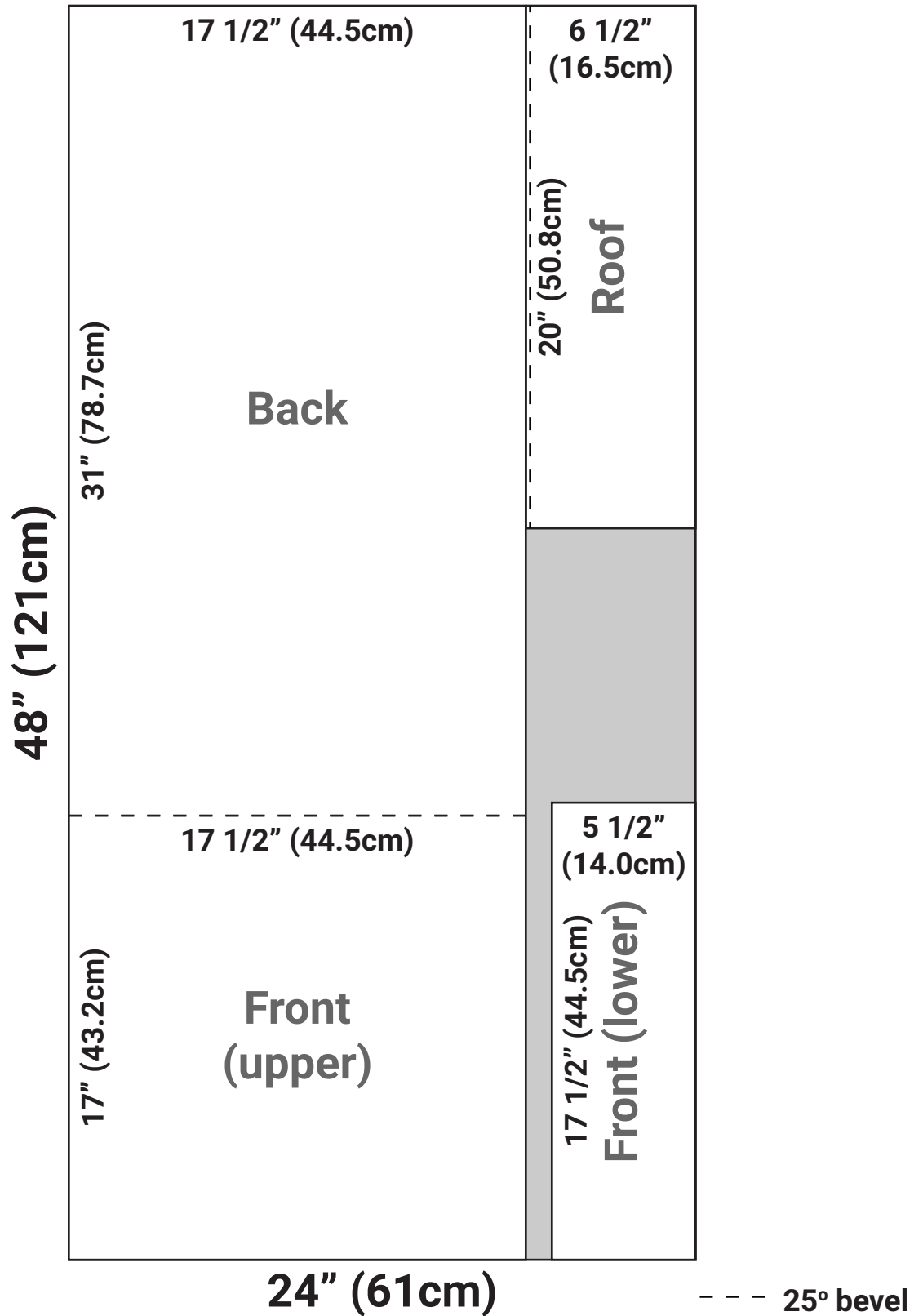


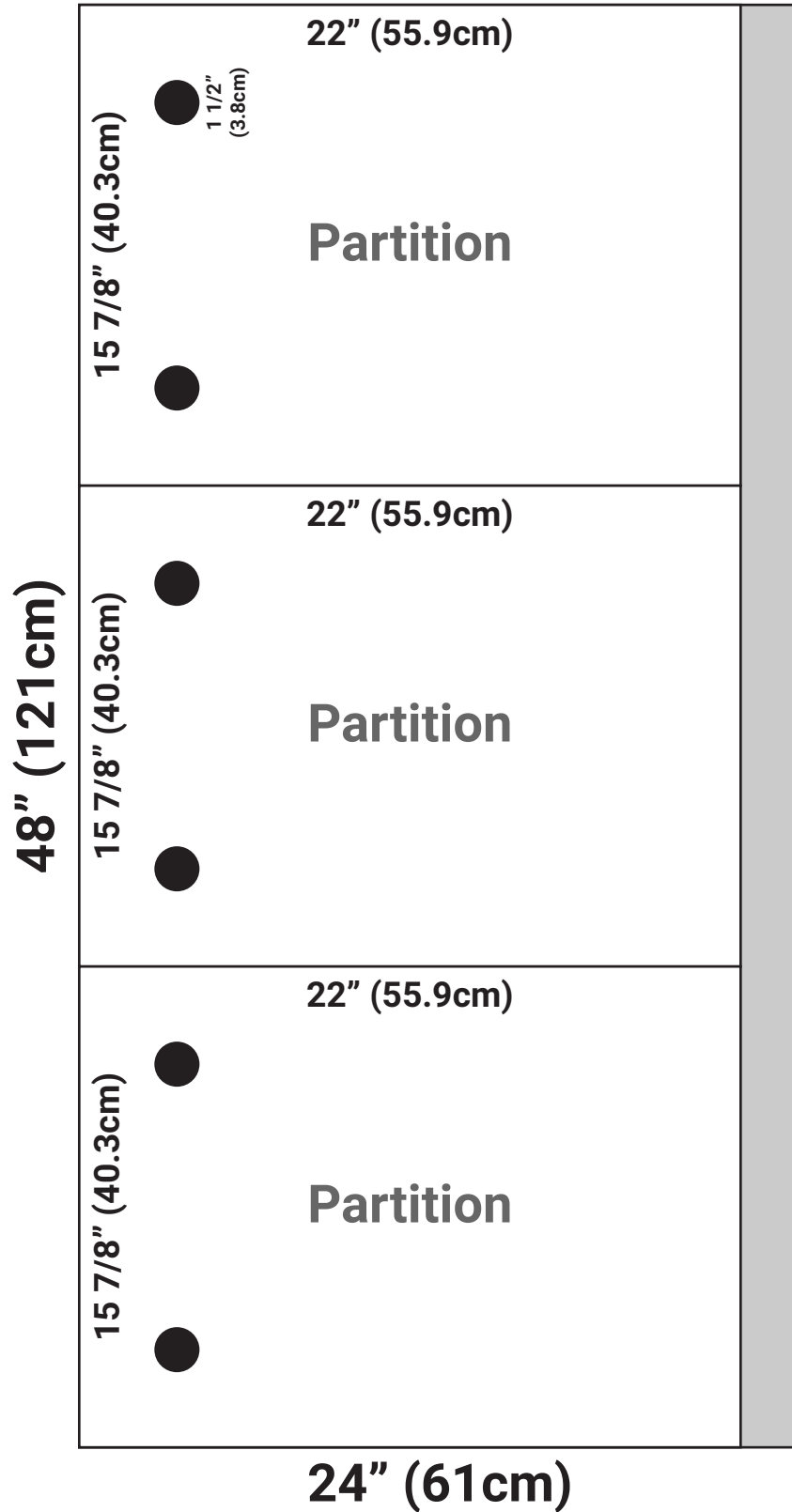
4-Chamber Bat House



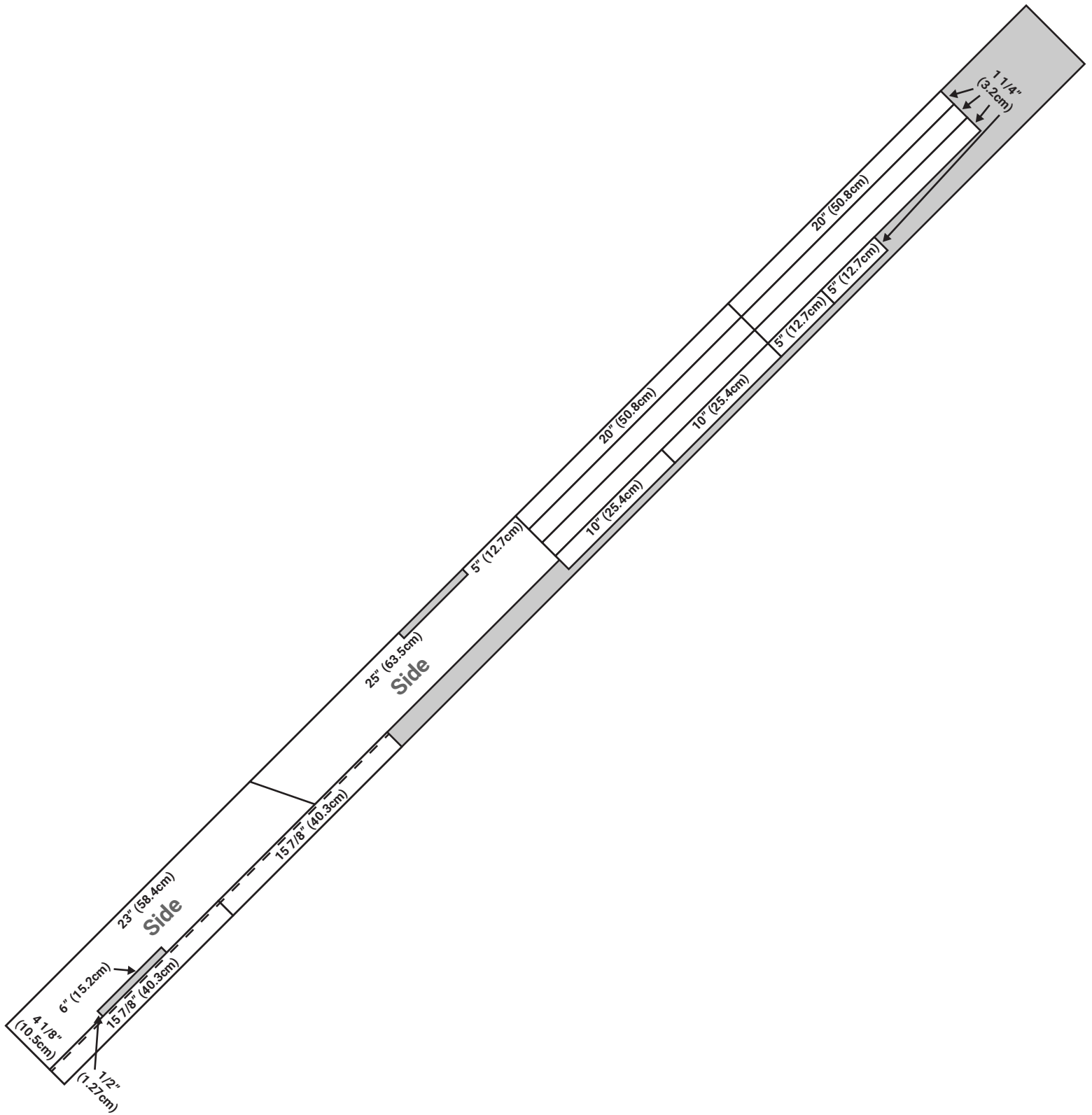
Quarter sheet of 1/2" exterior grade plywood (AC, BC, or T1-11)
(13mm)



Quarter sheet of 3/8" exterior grade plywood (AC, BC, or T1-11)
(9.5mm)



1" x 6" (3/4" x 5 1/2" actual) x 8' rot-resistant pine or cedar
(1.9 x 14 x 244cm)



--- 25° bevel